

Product Discontinuation Notices

Frequency Inverters

April 1, 2010

No. 2010117E

Discontinuation Notice of SYSDRIVE Inverter 3G3JV series

REQUEST

There was modification in portion of product discontinuation notices of Product News No. 2010117E of 2010 April issue.

What we have changed is as follows; the ambient temperature for ratings.
Please abolish old edition, replace the latest No. 2010117E.

Discontinuation date : The end of March, 2011

Caution on recommended replacement

Option Product will be also a production Discontinuation.
3G3JX200V 200W will be an alternate product in 3G3JV200V 100W.
3G3JX400V 400W will be an alternate product in 3G3JV400V 200W.

Difference from discontinued product

Model	Body Color	Dimensions	Wire connection	Mounting Dimensions	Characteristics	Operation ratings	Operation methods
3G3JX-A[]	--	--	**	--	**	--	--

** : Fully compatible

* : The change is a little/Almost compatible

-- : Not compatible

- : No corresponding specification

Product Discontinuation and recommended replacement

Product discontinuation	Recommended replacement
3G3JV-A1001	-
3G3JV-A1002	-
3G3JV-A2001	3G3JX-A2002
3G3JV-A2001-RS	3G3JX-A2002
3G3JV-A2002	3G3JX-A2002
3G3JV-A2002-RS	3G3JX-A2002
3G3JV-A2004	3G3JX-A2004
3G3JV-A2004-RS	3G3JX-A2004
3G3JV-A2007	3G3JX-A2007
3G3JV-A2007-RS	3G3JX-A2007
3G3JV-A2015	3G3JX-A2015
3G3JV-A2015-RS	3G3JX-A2015
3G3JV-A2022	3G3JX-A2022
3G3JV-A2022-RS	3G3JX-A2022
3G3JV-A2037	3G3JX-A2037
3G3JV-A2037-RS	3G3JX-A2037
3G3JV-A4002	3G3JX-A4004
3G3JV-A4002-RS	3G3JX-A4004
3G3JV-A4004	3G3JX-A4004
3G3JV-A4004-RS	3G3JX-A4004
3G3JV-A4007	3G3JX-A4007
3G3JV-A4007-RS	3G3JX-A4007
3G3JV-A4015	3G3JX-A4015
3G3JV-A4015-RS	3G3JX-A4015
3G3JV-A4022	3G3JX-A4022
3G3JV-A4022-RS	3G3JX-A4022
3G3JV-A4037	3G3JX-A4037
3G3JV-A4037-RS	3G3JX-A4037
3G3JV-AB001	3G3JX-AE002
3G3JV-AB001-RS	3G3JX-AE002
3G3JV-AB002	3G3JX-AE002
3G3JV-AB002-RS	3G3JX-AE002
3G3JV-AB004	3G3JX-AE004
3G3JV-AB004-RS	3G3JX-AE004
3G3JV-AB007	3G3JX-AE007
3G3JV-AB007-RS	3G3JX-AE007

Product Discontinuation and recommended replacement

Product discontinuation	Recommended replacement
3G3JV-AB015	3G3JX-AE015
3G3JV-AB015-RS	3G3JX-AE015
3G3IV-PEZZ08122A	<ul style="list-style-type: none"> · Digital Operator : 3G3AX-OP01 · Digital Operator Connecting Cable : 3G3AX-OPCN[] · There are no substitution options for others. · Equipped with the function of Modbus for communication handling.
3G3IV-PEZZ08122B	
3G3IV-PEZZ08122C	
3G3IV-PEZZ08122D	
3G3IV-PEZZ08386A	
3G3IV-PFAN2007	
3G3IV-PFAN2015J	
3G3IV-PFAN2015M	
3G3IV-PFAN2022	
3G3IV-PFAN2037	
3G3IV-PJVOP140	
3G3IV-PJVOP146	
3G3JV-PSI232J	
3G3JV-PSI232JC	
3G3JV-PSI485J	

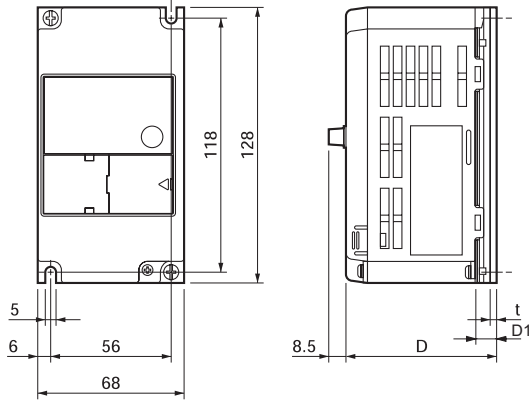
Body color

Product discontinuation 3G3JV Series	Recommendable replacement 3G3JX Series
Ivory	Black

Dimensions

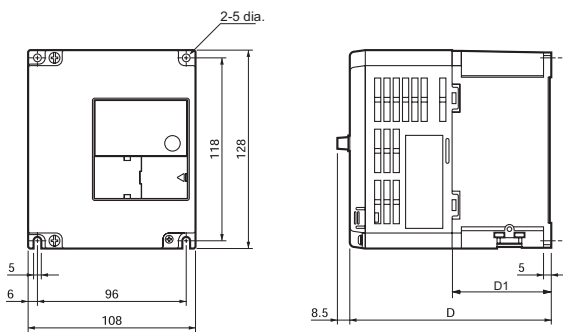
Product discontinuation 3G3JV Series

3G3JV-A2001 to -A2007 (0.1 to 0.75kW)
3G3JV-AB001 to -AB004 (0.1 to 0.4kW)



Rated voltage	Model 3G3JV-	Dimensions (mm)		
		D	D1	t
3-phase 200 V AC	A2001	70	10	3
	A2002	70	10	3
	A2004	102	42	5
	A2007	122	62	5
Single-phase 200 V AC	AB001	70	10	3
	AB002	70	10	3
	AB004	112	42	5

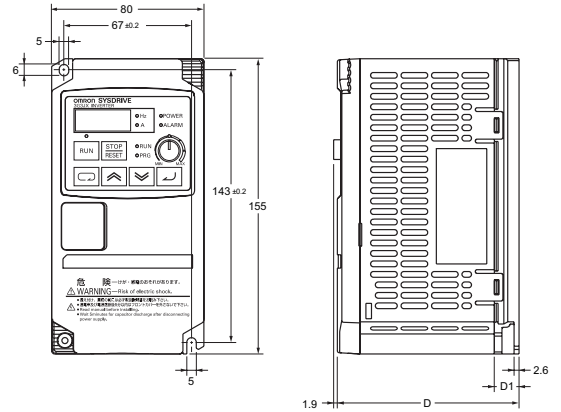
3G3JV-A2015 to -A2022 (1.5 to 2.2kW)
3G3JV-AB007 to -AB015 (0.75 to 1.5kW)



Rated voltage	Model 3G3JV-	Dimensions (mm)	
		D	D1
3-phase 200 V AC	A2015	129	64
	A2022	154	64
Single-phase 200 V AC	AB007	129	64
	AB015	154	64
3-phase 400 V AC	A4002	81	16
	A4004	99	34
	A4007	129	64
	A4015	154	64
	A4022	154	64

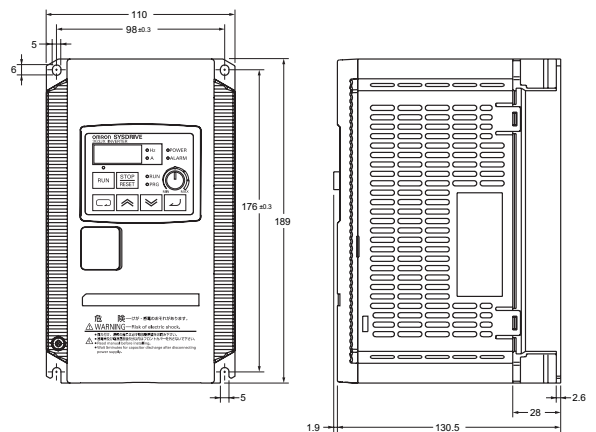
Recommendable replacement 3G3JX Series

3G3JX-A2002 to -A2007 (0.2 to 0.75kW)
3G3JX-AE002 to -AE004 (0.2 to 0.4kW)



Rated voltage	Model 3G3JX-	Dimensions (mm)	
		D	D1
3phase 200 V AC	A2002	95.5	13
	A2004	109.5	27
	A2007	132.5	50
1/3phase 200 V AC	AE002	95.5	13
	AE004	109.5	27

3G3JX-AE007 (0.75kW)
3G3JX-A4004 (0.4kW)



Dimensions

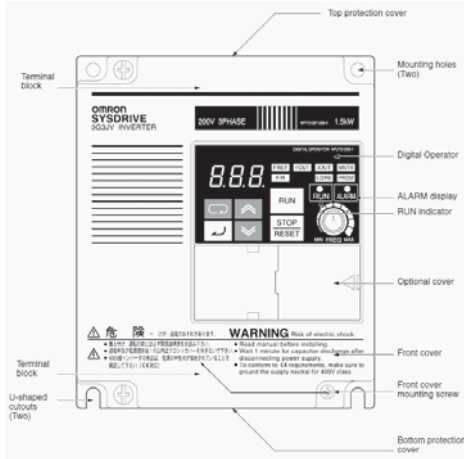
Product discontinuation 3G3JV Series		Recommendable replacement 3G3JX Series	
3G3JV-A2037 (3.7kW) 3G3JV-A4037 (3.7kW)		3G3JX-A2015 to -A2037 (1.5 to 3.7kW) 3G3JX-AE002 to -AE004 (0.2 to 0.4kW) 3G3JX-A4007 to -A4037 (0.75 to 1.5kW)	
Rated voltage	Model 3G3JV-	Dimensions (mm)	
		D	D1
3-phase 200 V AC	A2037	161	71
3-phase 400 V AC	A4037	161	71

Wire Connection

Product discontinuation 3G3JV Series		Recommendable replacement 3G3JX Series	

Mounting dimensions

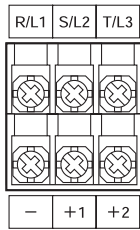
Product discontinuation 3G3JV Series



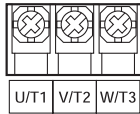
Main Circuit Terminals

3G3JV-A2001 to -A2007 (0.1 to 0.75kW)
3G3JV-AB001 to -AB004 (0.1 to 0.4kW)

(Upper Side)

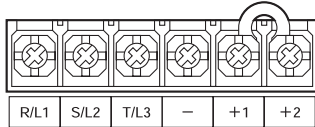


(Lower Side)

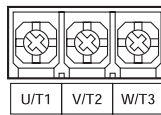


3G3JV-A2015 to -A2037 (1.5 to 3.7kW)
3G3JV-AB007 to -AB015 (0.75 to 1.5kW)
3G3JV-A4002 to -A4037 (0.2 to 3.7kW)

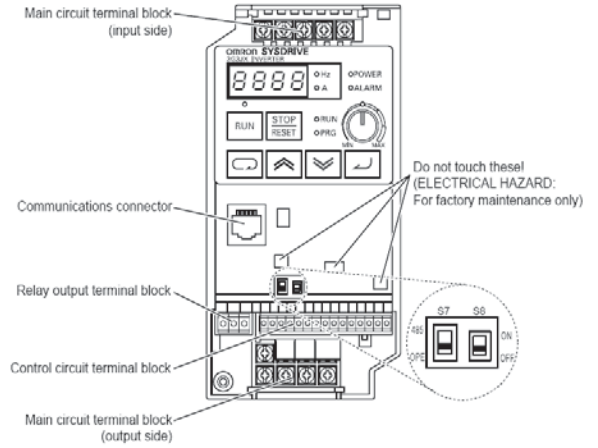
(Upper Side)



(Lower Side)



Recommendable replacement 3G3JX Series



(Upper Side)



(Upper Side)

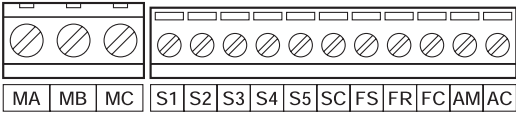
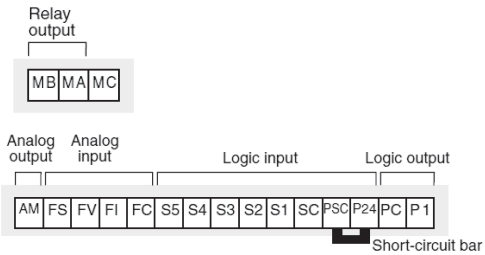


(For 3G3JX-AE[])

(Lower Side)



Mounting dimensions

Product discontinuation 3G3JV Series	Recommendable replacement 3G3JX Series
<p>Control Circuit Terminals</p> 	

Characteristics

Item	Product discontinuation 3G3JV Series	Recommendable replacement 3G3JX Series
Rated input voltage	3G3JV-A2[] : 3-phase AC200 to 230V 50/60Hz 3G3JV-AB[]: 1-phase AC200 to 240V 50/60Hz 3G3JV-A4[]: 3-phase AC380 to 460V 50/60Hz	3G3JX-A2[]: 3-phase AC200 to 240V 50/60Hz 3G3JX-AE[]: 1/3-phase AC200 to 240V 50/60Hz 3G3JX-A4[]: 3-phase AC380 to 480V 50/60Hz
Allowable voltage fluctuation	-15 to +10 %	-15 to +10 %
Ambient temperature (Operating)	-10 to +50°C	-10 to +50°C
Ambient humidity (Operating)	95% RH max.(with no condensation)	20% to 90% RH(with no condensation)
Degree of protection	Panel-mounting models: Conforms to IP20	Semi-closed (IP20)
Weight	Refer to USER'S MANUAL (No.I528)	Refer to USER'S MANUAL (No.I558)

Operation ratings

Item	Product discontinuation 3G3JV Series	Recommendable replacement 3G3JX Series
Rated output current	Refer to USER'S MANUAL (No.1528)	Refer to USER'S MANUAL (No.1558)
Max. output frequency	400 Hz parameter setting	400 Hz parameter setting
Carrier frequency	2.5 to 10 kHz	2 to 12 kHz
Braking torque	Approx. 20 %	Refer to USER'S MANUAL (No.1558)
Acceleration /deceleration time	0.0 to 999 s	0.01 to 3000 s
Overload protection	Stops in 1 min at approximately 150% of rated output current	Stops in 1 min at approximately 150% of rated output current
Frequency Control range	0.1 to 400 Hz	0.5 to 400 Hz
Frequency precision (temperature characteristics)	Digital commands: ±0.01% (-10°C to 50°C) Analog commands: ±0.5% (25°C ± 10°C)	Digital command: ±0.01% of the max. frequency Analog command: ±0.4% of the max. frequency (25°C ± 10°C)
Frequency Setting resolution	Digital commands: 0.1 Hz (less than 100 Hz) and 1 Hz (100Hz or over) Analog commands: 0.06 Hz/60 Hz (equivalent to 1/1000)	Digital setting: 0.1 Hz Analog setting: Max. frequency/1000

Function methods

Item	Product discontinuation 3G3JV Series	Recommendable replacement 3G3JX Series
Parameter copy	Δ (option)	× (CX-DRIVE used)
DC injection braking	○	○
Torque boost	○	○
Over torque monitored	○	○
Constant speed arrival signal	○	○
PID Function	×	○
Acceleration/deceleration time	○ (2 pattern)	○ (2 pattern)
S-shape characteristics	○	○
Multi-step speed reference	○ (8 settings)	○ (16 settings)

Operation methods

Product discontinuation 3G3JV Series	Recommendable replacement 3G3JX Series
It's operated by a digital operator. (LCD type)	It's operated by a digital operator. (LCD type)